



Handle Series FG13-LH

Functional handle with a handle ledge illuminatable over a large area. The LED colours red, yellow and green can be used to display the current operating status of the machine for example.

Material and surface:

Handle shanks made of glass ball blasted aluminium (AlMgSi 0.5). Anodized in black.
Handle ledge made of extruded hollow aluminium section AlMgSi 0.5; glass ball blasted and anodized in natural colour.
Illuminatable plastic insert made of extruded, translucent PMMA.

Design features:

Pleasant feel thanks to the generously rounded handle ledge bottom.

Function elements:

Two push buttons, as NO contacts.
Type FG13-LH15 additionally with emergency stop (two NC contacts).

Connection A:

12-pole connector in the mounting surface of the handle shank.
Coupling with 10 m ready-made cable available as accessory.

Connection B:

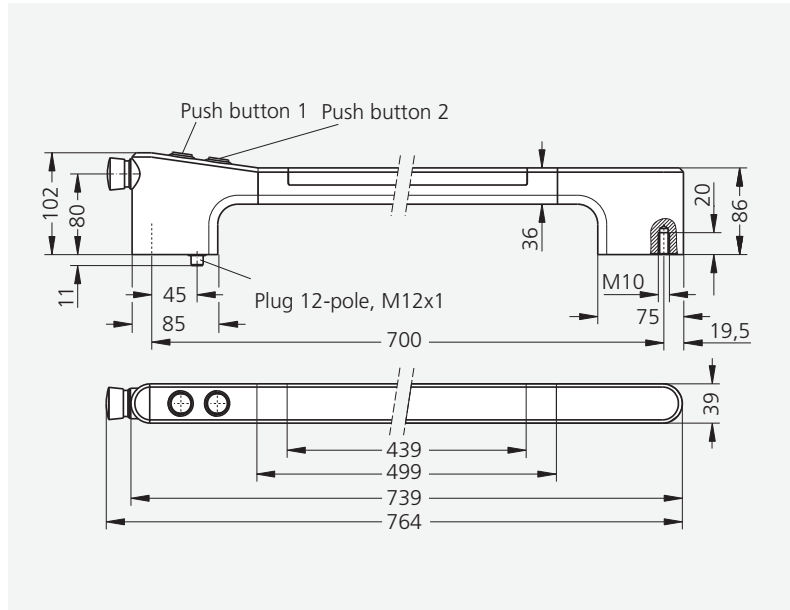
5 m connection cable leading out of the mounting surface of the handle shank.



Protection class:

IP 65 with coupling screwed on.

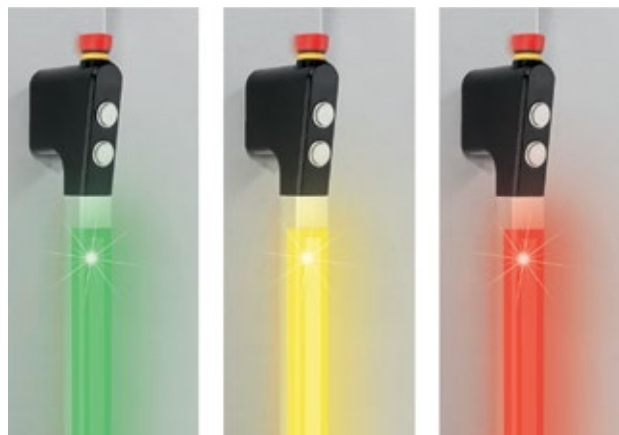
Special designs:

Other handle lengths and switching element assignments, as well as white handle ledge lighting on request.



| | FG13-LH12 with 2 push buttons | FG13-LH15 |
|---|--|---------------------|
| | without emergency stop | with emergency stop |
| Connection | Order no. | Order no. |
| A Plug  | FG13-LH12.A700.S11 | FG13-LH15.A700.S11 |
| B Cable  | FG13-LH12.B700.S11 | FG13-LH15.B700.S11 |

Other handle lengths on request



Typ FG13-LH15



Technical data

| Typ | FG13-LH12 | FG13-LH15 |
|---|-----------|----------------------------|
| Emergency stop (2 NC contact) | without | |
| Push button 1 (1 NO contact) | | |
| Push button 2 (1 NO contact) | | |
| LED board | | |
| Emergency stop | - | 1-42 V AC/DC 100 mA |
| Push button | | 24 V AC/DC max. 1 A |
| Operating voltage LED | | 24 V DC (12 V DC optional) |
| Connection type | | 12-pole M12x1 |
| Connector assignment (Plug side view) | | |
| Mounting cutout | | |

Handle accessories



10 m cable welded to coupling

Order no.

Order no.

12-pole (M12 x 1)

FZ-KS.G12.10

FZ-KS.W12.10

All dimensions in mm.

