

### Handle Series FG16-01 FG16-04

**Material and surface:**  
Handle shanks made of high strength polyamide PA 6, black with fine structure. Handle ledge made of lathed PVC black.

**Function elements:**  
**FG16-01:**

Push button (change-over contact)  
2 LED's.

**FG16-04:**

Emergency-stop (2 NC contacts)  
Push button (change-over contact)  
2 LED's

**FG16-00:**

Basic handle, as FG16-01 and FG16-04, but without switch elements as counter-handle.

**Connection:**

8-pole or 12-pole connector positioned at the tubular axle of the handle ledge in the handle shank.  
Coupling with 10 m ready-made cable available as accessory.

**Protection class:**

IP 65 with coupling screwed on.

**Note:**

With connection cable other push button assignment or other handle lengths on request.



**FG16-00.180.84**

Counter-handle without electrical function elements.


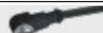


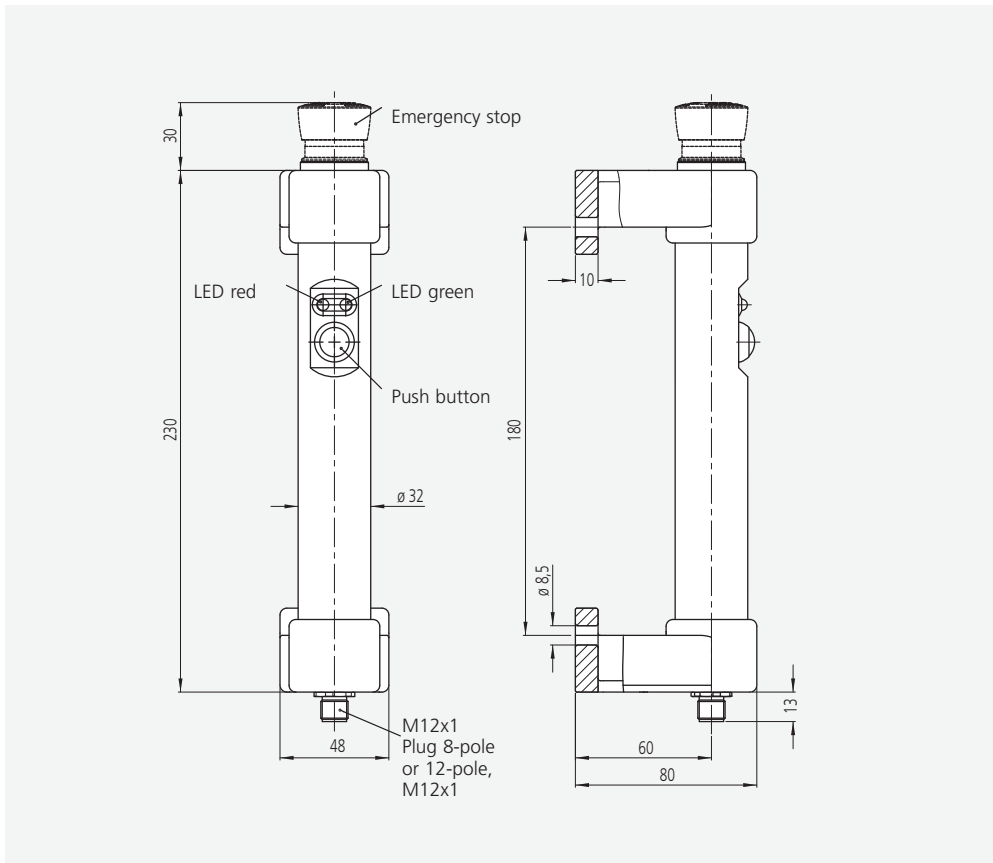
Typ FG16-01



Typ FG16-04

Switching function	Order no.
without switch elements	FG16-00.180.84
Push button and 2 LED's	FG16-01S.180.84
Emergency stop, push button and 2 LED's	FG16-04S.180.84
Other handle lengths on request	

		Handle accessories	
		Coupling with cable 8-pole (M12 x 1)	12-pole (M12 x 1)
	L	Order no.	Order no.
	10 m	FZ-KS.G08.10	FZ-KS.G12.10
	10 m	FZ-KS.W08.10	FZ-KS.W12.10



### Technical data

Typ	FG16-01	FG16-04
<b>Emergency stop</b> (2 NC contacts)	without	
<b>Push button</b> (1 change-over contact)		
<b>LED red/green</b>		
<b>Emergency stop</b>	-	1-42 V AC/DC max. 100 mA
<b>Push buttons</b>	24 V AC/DC max. 1,5 A	
<b>Operating voltage LED</b>	24 V DC (12 V optional)	
<b>Connection type</b>	8-pole M12 x 1	12-pole M12 x 1
<b>Connector assignment</b> (Plug side view)		

All dimensions in mm.

