

### Handle Series FG16-02 FG16-05

**Material and surface:**  
Handle shanks made of high strength polyamide PA 6, black with fine structure. Handle ledge made of lathed PVC black.

**Function elements:**

**FG16-02:**  
Push button 1 (change-over contact)  
Push button 2 (NO contact)  
2 LED's.

**FG16-05:**  
Emergency-stop (2 NC contacts)  
Push button 1 (change-over contact)  
Push button 2 (NO contact)  
2 LED's

**FG16-00:**  
Basic handle, as FG16-02 and FG16-05, but without switch elements as counter-handle.

**Connection:**  
8-pole or 12-pole connector positioned at the tubular axle of the handle ledge in the handle shank.  
Coupling with 10 m ready-made cable available as accessory.

**Protection class:**  
IP 65 with coupling screwed on.

**Note:**  
With connection cable other push button assignment or other handle lengths on request.



**FG16-00.180.84**  
Counter-handle without electrical function elements.


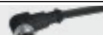


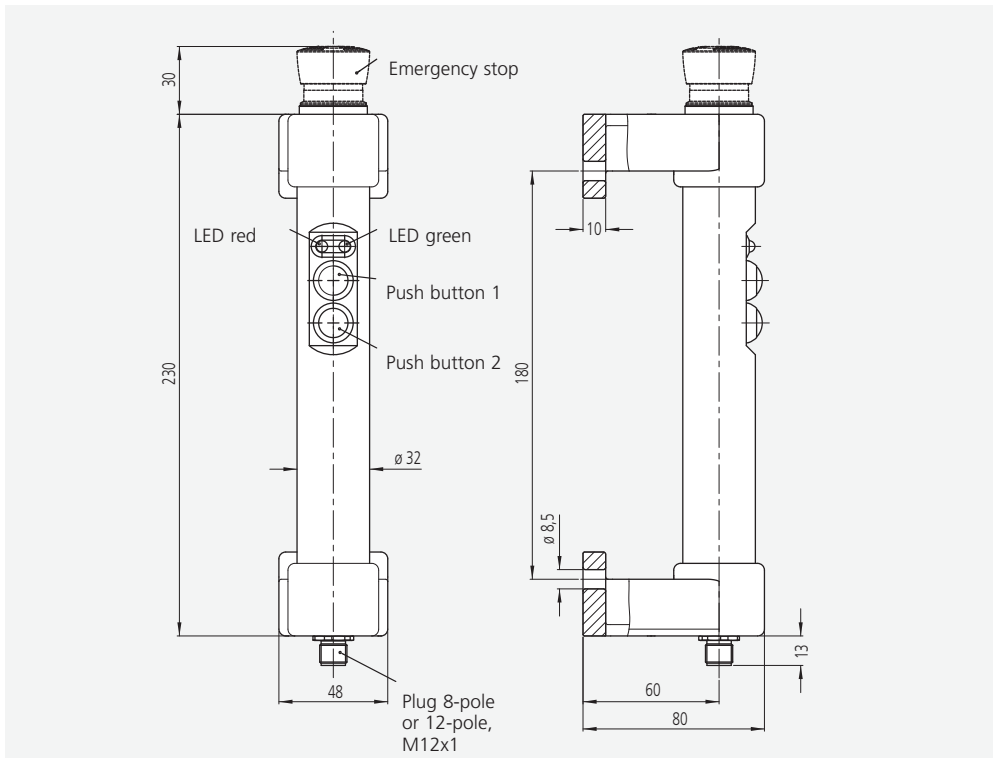
Typ FG16-02



Typ FG16-05

Switching function	Order no.
without switch elements	FG16-00.180.84
2 push button and 2 LED's	FG16-02S.180.84
Emergency stop, 2 push button and 2 LED's	FG16-05S.180.84
Other handle lengths on request	

		Handle accessories	
		Coupling with cable 8-pole (M12 x 1)	12-pole (M12 x 1)
L	Order no.	Order no.	Order no.
	10 m	FZ-KS.G08.10	FZ-KS.G12.10
	10 m	FZ-KS.W08.10	FZ-KS.W12.10



### Technical data

Typ	FG16-02	FG16-05
<b>Emergency stop</b> (2 NC contacts)	without	 RD(9) GY/PK(11) VT(10) RD/BU(12)
<b>Push button 1</b> (1 change-over contact)	 WH(1) GN(3) BN(2)	 BN(1) WH(3) BU(2)
<b>Push button 2</b> (1 NO contact)	 YE(4) RD(8)	 GN(4) GY(8)
<b>LED red/green</b>	 LED red GY(5) BU(7) PK(6) LED green PK(6)	 LED red PK(5) BK(7) YE(6) LED green YE(6)
<b>Emergency stop</b>	-	1-42 V AC/DC max. 100 mA
<b>Push buttons</b>	24 V AC/DC max. 1,5 A	
<b>Operating voltage LED</b>	24 V DC (12 V optional)	
<b>Connection type</b>	8-pole M12 x 1	12-pole M12 x 1
<b>Connector assignment</b> (Plug side view)	 RD(8) WH(1) BN(2) BU(7) GN(3) PK(6) YE(4) GY(5)	 BU(2) VT(10) BN(1) WH(3) RD(9) RD/BU(12) GY/PK(11) GN(4) GY(8) PK(5) YE(6) BK(7)

All dimensions in mm.

